

Ideal for:
Tyre Hotels
Tyre Centers
Tyre Dealers
Car Manufacturers
Car Dealers

Easy Stacker 800

Save
time
Improve
safety



Professional tools for handling sets of car tyres

- With a unique safe grip
- Can place sets of tyres very closely
- Can optimize the capacity of stock
- Move and handle with safety and effectivity
- Customization available



Experts in Tyre Handling Equipment



Easy handling sets of car tyres

Developed for safe and efficient handling of sets of car tyres and with focus on effective use of space to optimize stock capacity.

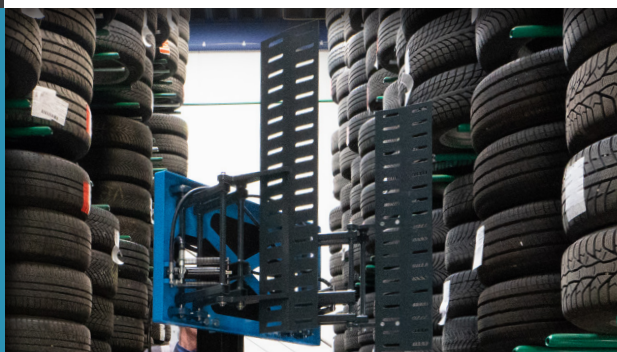
Capability

With a gripping range of Ø400 - 800 mm (16 - 31") and a lifting capacity of 160 kg (352 lbs), this tool can handle almost any car tyre with or without rim in sets of 4.



In stock facilities

Place all the sets of tyres close to each other to optimize the space. Get a firm grip of the tyres. Get easy movements with a small electrical stacker.



In workshops

Lift and move sets of tyres from stock to workshop and vice versa. With a firm grip and by use of a small electrical stacker.



1

Can be installed on existing electrical stacker. To be build-in in existing single acting hydraulic systems. Requires the hydraulic to be run through mast. Delivered with hydraulic diverting valve, control box and Class 2 mounting blocks.

2

Can be installed on existing electrical stacker, but delivered with a build-in PowerPack (self-contained hydraulic system for the Stacker) incl. complete control system and Class 2 mounting blocks. Excl. the electrical supply for the PowerPack.

3

Can be delivered as a "READY TO GO" turnkey solution incl. electrical stacker. Standard lifting height is 3.20 m or 4.35 m. Can be further customized regarding lifting height of stacker.



Standard features

Designed to work on an electrical stacker in order to reduce manual and stressful operations

Can handle sets of tyres placed very close together in order to optimize the use of stock facilities

Provides a firm grip of the tyres to improve a safe handling from stock systems

Can lift and move sets of tyres from stock to workshop and vice versa



Protect employees against potential injury risks



Small and slim footprint



Secure and firm grip

Optional features

The length of the gripping panels can be customized to your requirements

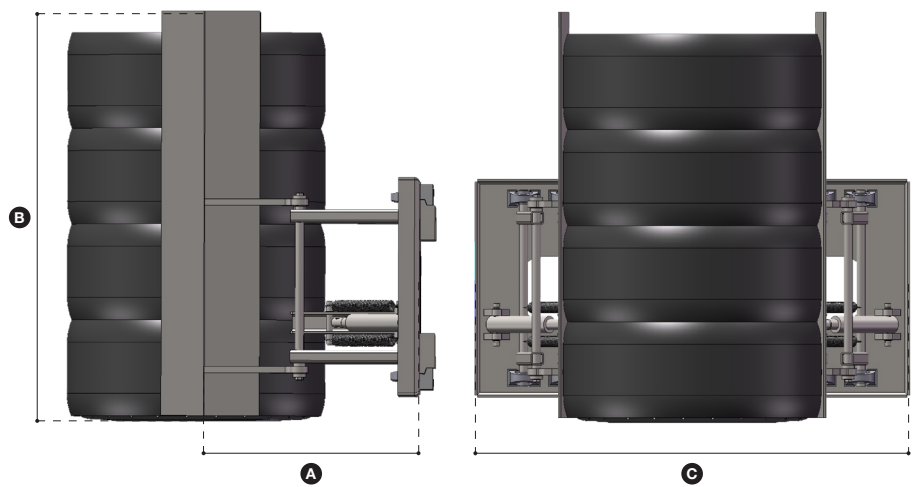
Can be customized to handle rims

Technical Specifications

Weight:	70 kg (154 lbs)
Lifting capacity:	160 kg (352 lbs)
Tyre diameter:	400 - 800 mm (15-31")
Grip length:	950 mm (37") can be customized

Technical Requirements of forklift or stacker

Electrical supply:	12/24 V
Hydraulic:	1 single acting connection



A	500 mm (20")
B	950 mm (37")
C	1.000 mm (39")

Authorized Dealer



+45 72 344 344
info@justeasytools.dk
www.justeasytools.com
VAT no.: DK33644809

Just Easy Tools ApS
Nupark 51
DK-7500 Holstebro
Denmark