

Ideal for:
Small Open Pit Mines / Quarries
Underground Mines
Tyre Service
Ports

Easy Gripper 2400-2T

Save
time
Improve
safety



Professional tools for handling of OTR/EM tyres up to 37.25R35

- Unique 3-point grip
- Precise rotation +/-25°
- 90° tilt, horizontal to vertical
- Integrated camera system for optimal view
- Prevent damage to tyres, rims & equipment
- Tools for safe handling of tyre rings
- Easy hook on/off attachment



Experts in Tyre Handling Equipment



Easy Gripper

The Easy Gripper product range is designed to help tyre professionals in a multitude of conditions and situations. Implementing The Easy Gripper makes tyre handling faster and safer, while preventing damage to tyres, rims and equipment.

Capability

With a gripping range of Ø850 - 2.400 mm (34 - 94") and a lifting capacity of 2 ton (4.400 lbs) at a CoG of 550 mm (22"), this Gripper can handle tyres up to 37.25R35. When handling full wheel assemblies as inside duals, the Gripper handles up to 24.00R35 tyres.



Underground mines

Solves issues with limited clearance around the tyres. The 2 bottom pipes grip the tyre below the fender, and the top pipe can easily be changed to a flat arm to fit between tyre and fender.

Quarries

Reduces down time and improves the safety for the tyre technicians. See also the tools for handling the rings, when mounting or demounting tyres.



Ports

This Gripper is big enough to handle tyres and wheels on Straddle Carriers, Reach Stackers and RTG cranes. With safety as a big issue.



Breakdown service

Used on front loaders, telehandlers or truck cranes you get a perfect solution to provide tyre service in the field. You can do the job without any equipment or assistance from your customer, do it faster and make a hard and risky work safe for your operators.



Forklifts



The Easy Gripper 2400-2T with the 90° tilt module, is ideal for use on forklifts.

Front loaders and telehandlers



The Easy Gripper 2400-2T Compact without the tilt module is a good choice on front loaders and telehandlers, if the carrier can provide sufficient tilt.

Truck cranes



By use of our Crane Module the Easy Gripper 2400-2T Compact also fit with almost any truck crane system.



Standard features

Unique and safe 3-point grip

- Avoid accidents.
- Avoid deformation of tyres.
- Avoid damages to tyres, rims and equipment.

Integrated camera system for optimal view

With automatic IR function in insufficient light conditions.

Precise rotation +/-25°

90° tilt, horizontal to vertical

Quick Shift Module

The Quick Shift Module is a standard and integrated part of the Easy Gripper. It is mounted on the forklift, and the Easy Gripper is then hooked on to this module. Makes hook on/off easy.

Optional accessories

Fork Module

The Fork Module is designed to be hooked on to the Quick Shift Module, and makes quick shift between Gripper and forks easy.

Hydraulic Quick Shift

Shift between Gripper and forks in less than half a minute.

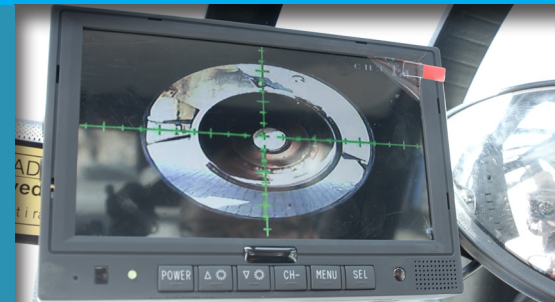
Easy shift of gripping pipes for various purposes

- Flat top arm for limited tyre clearance.
- Telescopic pipes for long reach, to provide room for the tyre fitters and for dual tyre handling.

Tools for safe handling of tyre rings

- To help tyre fitters with the hard and dangerous work.
- Can easily be attached at the end of the gripping pipes.
- Can push the tyre and can hold and place the rings.

LED working light, second camera for view of bolt diameter and customization on request



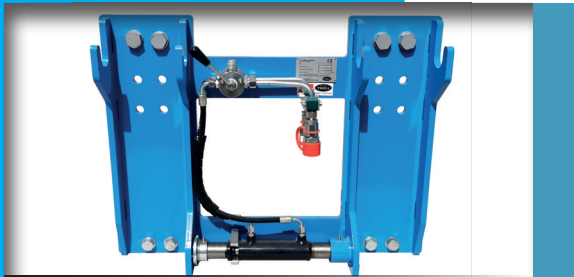
Integrated camera system for optimal view



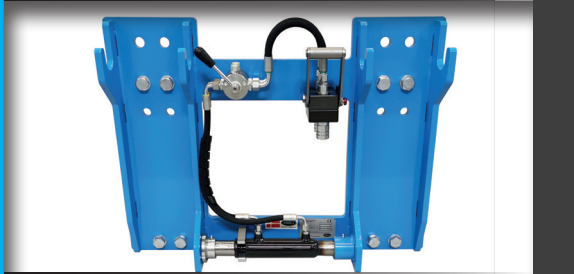
Flexible tool for tyre service



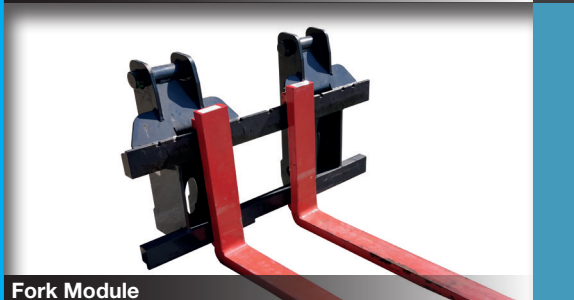
Tools for safe handling of tyre rings



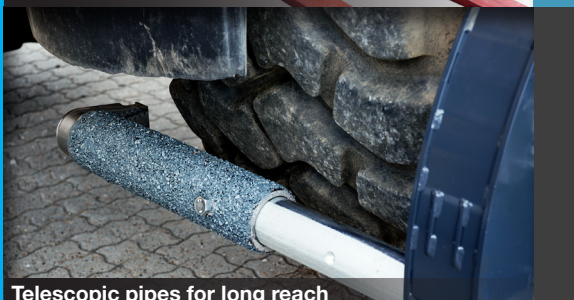
Quick Shift Module - screw coupling



Quick Shift Module - hydraulic multi connection



Fork Module



Telescopic pipes for long reach



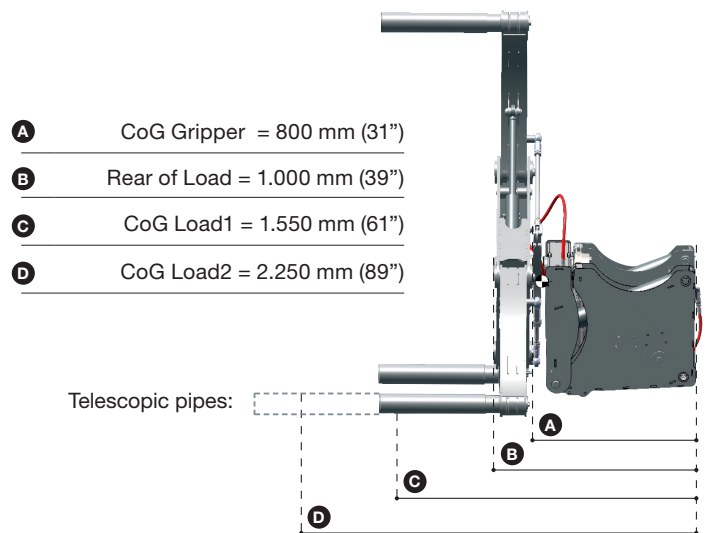
Flat top arm for limited tyre clearance



LED working light

Technical Specifications

Weight:	815 kg (1.797 lbs)
Lifting capacity:	2.000 kg (4.400 lbs) at C from B 550 mm
	1.150 kg (2.535 lbs) at D from B 1.250 mm
Tyre diameter:	850 - 2.400 mm (34 - 94")
Standard pipes:	Ø115 x 650 mm (4,5 x 26")
Telescopic pipes:	Ø120 x 600 -> 875 mm (4,7 x 24 -> 34")
Attachment:	ISO/FEM/ITA Class 3 or 4 / Loader specific



Technical Requirements of forklift or loader

Lifting capacity:	Individual calculation
Electrical supply:	12/24 V / min 10A
Hydraulic:	1 double acting hydraulic valve
Pressure min-max:	150-250 bar (2.175-3.626 psi)
Return pressure:	max. 10 bar (145 psi)
Flow:	max. 50 l/min. (13 gal/min.)

Authorized Dealer



+45 72 344 344
 info@justeasytools.dk
 www.justeasytools.com
 VAT no.: DK33644809

Just Easy Tools ApS
 Nupark 51
 DK-7500 Holstebro
 Denmark