

Ideal for:  
Small Open Pit Mines / Quarries  
Underground Mines  
Tyre Service  
Ports

Easy  
**Gripper**  
2400-2T  
Compact

Save  
**time**  
Improve  
safety



## Professional tools for handling of OTR/EM tyres up to 37.25R35

- Unique 3-point grip
- Precise rotation +/-25°
- Horizontal to vertical tilt depending on carrier
- Integrated camera system for optimal view
- Prevent damage to tyres, rims & equipment
- Tools for safe handling of tyre rings
- Easy hook on/off attachment



Experts in Tyre Handling Equipment



# Easy Gripper

The Easy Gripper product range is designed to help tyre professionals in a multitude of conditions and situations. Implementing The Easy Gripper makes tyre handling faster and safer, while preventing damage to tyres, rims and equipment.

## Capability

With a gripping range of Ø850 - 2.400 mm (34 - 94") and a lifting capacity of 2 ton (4.400 lbs) at a CoG of 550 mm (22") or 530 mm (21"), this Gripper can handle tyres up to 37.25R35. When handling full wheel assemblies as inside duals, the Gripper handles up to 24.00R35 tyres.



### Underground mines

Solves issues with limited clearance around the tyres. The 2 bottom pipes grip the tyre below the fender, and the top pipe can easily be changed to a flat arm to fit between tyre and fender.

### Quarries

Reduces down time and improves the safety for the tyre technicians. See also the tools for handling the rings, when mounting or demounting tyres.



### Ports

This Gripper is big enough to handle tyres and wheels on Straddle Carriers, Reach Stackers and RTG cranes. With safety as a big issue.



### Breakdown service

Used on front loaders, telehandlers or truck cranes you get a perfect solution to provide tyre service in the field. You can do the job without any equipment or assistance from your customer, do it faster and make a hard and risky work safe for your operators.



## Electrical stackers and reach trucks



On electrical stackers and reach trucks and when working space is limited, see Easy Gripper Workshop 2T.

## Front loaders and telehandlers



The Easy Gripper 2400-2T Compact without tilt or with the 30° tilt module is a good choice depending on the tilt the carrier can provide.

## Truck cranes



By use of our Crane Module the Easy Gripper 2400-2T Compact also fit with almost any truck crane system.



## Standard Features

### Unique and safe 3-point grip

Avoid accidents.  
Avoid deformation of tyres.  
Avoid damages to tyres, rims and equipment.

### Integrated camera system for optimal view

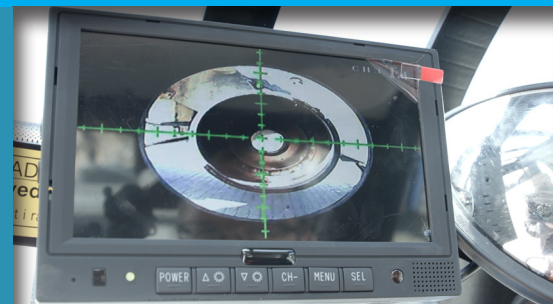
With automatic IR function in insufficient light conditions.

### Precise rotation +/-25°

### Horizontal to vertical tilt depending on carrier

### Compact attachment system

Can be customized depending on carrier.



Integrated camera system for optimal view



Flexible tool for tyre service



Tools for safe handling of tyre rings

## Optional accessories

### Easy shift of gripping pipes for various purposes

Flat top arm for limited tyre clearance.  
Telescopic pipes for long reach, to provide room for the tyre fitters and for dual tyre handling.

### Tools for safe handling of tyre rings

To help tyre fitters with the hard and dangerous work.  
Can easily be attached at the end of the gripping pipes.  
Can push the tyre and can hold and place the rings.

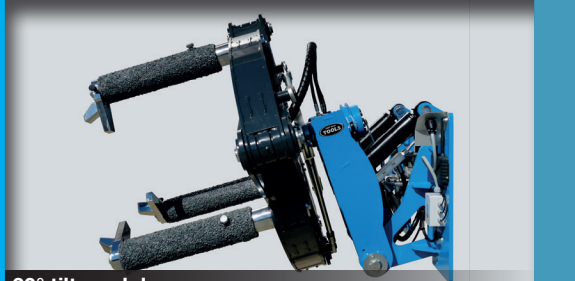
### LED working light

### Second camera for view of bolt diameter

### Customization on request



Customized attachment system



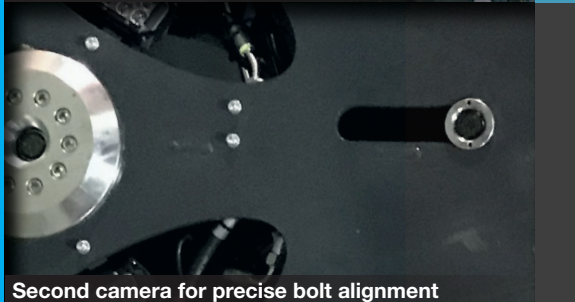
30° tilt module



Telescopic pipes for long reach



Flat top arm for limited tyre clearance



Second camera for precise bolt alignment



LED working light

### Technical Specifications

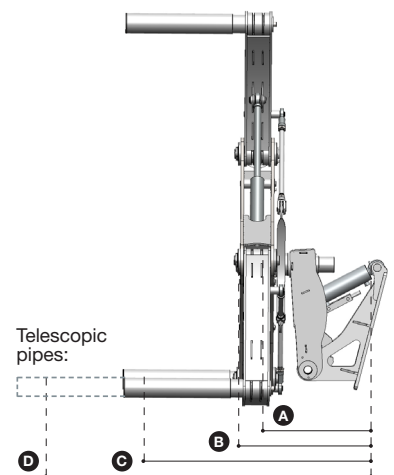
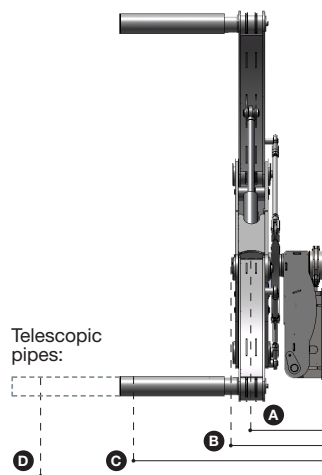
Weight:	Standard = 675 kg (1.488 lbs) / 30° = 690 kg (1.522 lbs)
Lifting capacity:	2.000 kg (4.400 lbs) at <b>C</b> from <b>B</b> 550 mm / 530 mm 1.150 kg (2.535 lbs) at <b>D</b> from <b>B</b> 1.190 / 1.210 mm
Tyre diameter:	850 - 2.400 mm (34 - 94")
Standard pipes:	Ø115 x 650 mm (4,5 x 26")
Telescopic pipes:	Ø120 x 600 -> 875 mm (4,7 x 24 -> 34")
Attachment:	ISO/FEM/ITA Class 3 or 4 / Loader specific

### Standard Compact Gripper:

- A** CoG Gripper = 430 mm (17")
- B** Rear of Load = 490 mm (19")
- C** CoG Load1 = 1.040 mm (41")
- D** CoG Load2 = 1.680 mm (66")

### 30° tilt module:

- A** CoG Gripper = 550 mm (22")
- B** Rear of Load = 740 mm (29")
- C** CoG Load1 = 1.270 mm (50")
- D** CoG Load2 = 1.950 mm (77")



### Technical Requirements of carrier

Lifting capacity:	Individual calculation
Electrical supply:	12/24 V / min 10A
Hydraulic:	1 double acting hydraulic valve
Pressure min-max:	150 - 250 bar (2.175 - 3.626 psi)
Return pressure:	max. 10 bar (145 psi)
Flow:	max. 50 l/min. (13 gal/min.)

Authorized Dealer



+45 72 344 344  
 info@justeasytools.dk  
 www.justeasytools.com  
 VAT no.: DK33644809

Just Easy Tools ApS  
 Nupark 51  
 DK-7500 Holstebro  
 Denmark